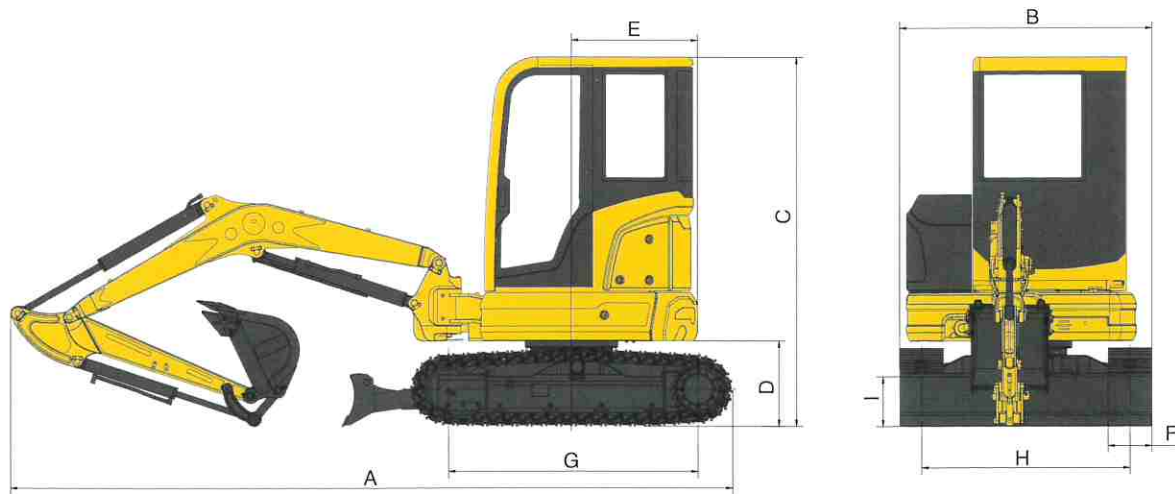


Dimensions

| Item | Unit | Parameters |
|----------------------------|------|------------|
| A Overall Length | mm | 4970 |
| B Overall Width | mm | 1740 |
| C Overall Height | mm | 2535 |
| D Width of Platform | mm | 1480 |
| E Total Width of Chassis | mm | 1740 |
| F Track Shoe Width | mm | 300 |
| G Crawler base | mm | 1721 |
| H Track Gauge | mm | 1440 |
| I Counterweight Clearance | mm | 587 |
| J Minimum Ground Clearance | mm | 297 |
| Dozer Blade(Width/Height) | mm | 1740×358 |

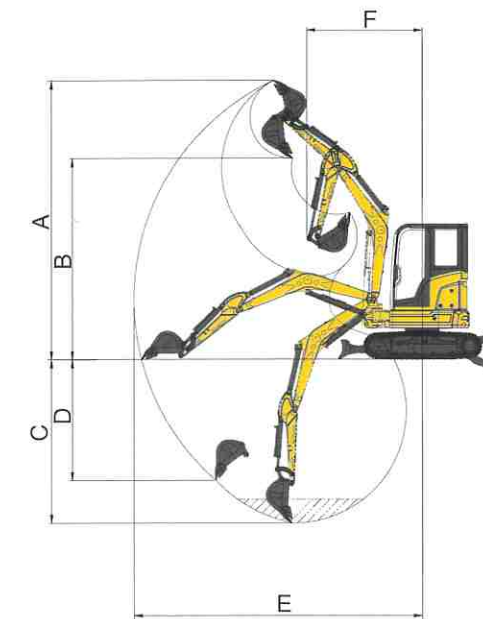
Overall Dimensions



Working Range

| Item | Unit | Parameters |
|---------------------------------------|------|------------|
| A Maximum Digging Height | mm | 5000 |
| B Maximum Dumping Height | mm | 3600 |
| C Maximum Digging Depth | mm | 3060 |
| D Maximum Vertical Wall Digging Depth | mm | 2260 |

| | | | |
|---------------|------------------------------|----|------|
| Working Range | E Maximum Digging Radius | mm | 5300 |
| | F Minimum Swing Radius | mm | 2170 |
| | G Minimum Tail Swing Radius | mm | 870 |
| | Maximum Dozer Lifting Height | mm | 305 |
| | Maximum Dozer Cutting Depth | mm | 360 |



Lifting Capacity

| Lifting point height (m) | Rated lift capacity – Straight ahead (back) (kg) | | | | | Rated lift capacity – over-side (kg) | | | | |
|--------------------------|--|---------|--------|-------|------------------------------------|--------------------------------------|---------|--------|--------|------------------------------------|
| | Lifting point radius (m) | | | | Lifting capacity at maximum radius | Lifting point radius (m) | | | | Lifting capacity at maximum radius |
| | 1 | 2 | 3 | 4 | | 1 | 2 | 3 | 4 | |
| 4 | | | *816.9 | | *748.8 | | | *816.9 | | *748.8 |
| 3 | | | *830.1 | 724.1 | *634.4 | | | *830.1 | *806.8 | *634.4 |
| 2 | | 1921.5 | 1061.6 | 714.3 | 593.4 | *1957.3 | *1094.8 | 807.1 | | *627.5 |
| 1 | | | 1016.5 | 697.2 | 568.8 | | | 1170.1 | 789.4 | 643.5 |
| Ground | | *1193.1 | 992.9 | 685.1 | 591.1 | *1193.1 | 1145.2 | 784.7 | | 666.9 |
| -1 | | 1794.8 | 991.6 | 686.3 | 682.9 | 2166.6 | 1143.8 | 778.1 | | 774 |
| -2 | | *1299.8 | | | *778.9 | *1299.8 | | | | *778.9 |

Capacities marked with an asterisk(*) are limited by hydraulic capacities.